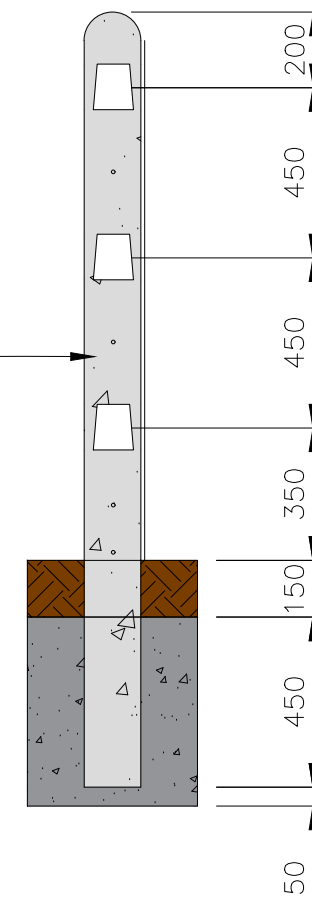


CONCRETE POST AND RAIL FENCE

- NOTES:
1 ALL DIMENSIONS ARE
IN MILLIMETERS
2 FENCE SHALL COMPLY
WITH I.S.252

CONCRETE POST
100 x 150 2000 lg



1. FIGURED DIMENSIONS ONLY TO BE TAKEN FROM THIS DRAWING.
2. ALL DRAWINGS TO BE CHECKED BY THE CONTRACTOR ON SITE.
3. ENGINEER TO BE INFORMED OF ANY DISCREPANCIES BEFORE ANY WORK COMMENCES.
4. THIS DRAWING TO BE READ IN CONJUNCTION WITH ALL OTHER RELEVANT DRAWINGS AND SPECIFICATIONS.

P01	Planning Application Submission	LB	05/23
P00	Issued for Comments	LB	03/23
rev.	modifications	by	date

Client	EMP Group EMPower		
Project	Proposed Wind Farm and Grid Connection at Dyrick Hill, County Waterford.		
Stage	Planning Application		
Title	Concrete Post and Rail Fence Details		
Scales	1:25 @ A3		
Surveyed	Prepared By	Checked	Date
	LB	JL/RM	01-11-2021

© COPYRIGHT OF
JENNINGS O'DONOVAN & PARTNERS LIMITED,
CONSULTING ENGINEERS,
FINISKLIN,
SLIGO,
IRELAND.
TEL. (0035371) 9161416.
FAX. (0035371) 9161080.
Email. info@jodireland.com
Web. www.jodireland.com



Job No.	Drawing no.	Revision
6497	PL-905	P01